

Pulsar-35Cu

PORTABLE TEMPERATURE CALIBRATOR

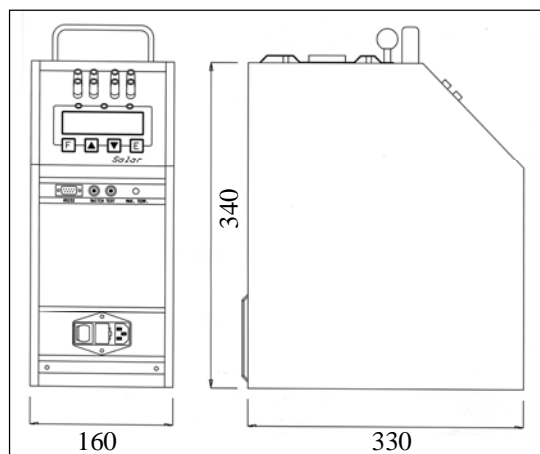


Operating range:
Room temp. / +600 °C

Applications:

- Control calibration of temperature sensors in laboratory, in conformity with ISO 9000 standards.
- Control of thermostats.
- Automatic computer-controlled calibrations.





Pulsar-35Cu

PORTABLE TEMPERATURE CALIBRATOR

The **PULSAR-35Cu** temperature calibrator is a compact instrument used to calibrate transducers, RTD and temperature-measuring sensors in the field and in the laboratory. The possibility to generate positive and negative temperature ramps makes it suitable for use in calibrating and testing thermostats.

TECHNICAL CHARACTERISTICS

The **PULSAR-35Cu** oven consists of a metal block measuring 50 mm in diameter heated by a resistance which winds around the outer surface of the block.

An hole is made in the block for the appropriate reduction inserts.

PULSAR-35Cu is equipped with a PID microprocessor controller with a resolution up to 0,01 °C, setting of the standard of measurement in °C, °F and K programming of ascent/descent ramps and storage of the thermostats' operative temperature.

In the **PULSAR-35Cu-2I** version the instrument is equipped with an acquisition card having two adjustable inputs (Pt100 3/4 wires; thermocouples: J, K, N, R, S) with bushes fitted with gold-plated contacts and automatic compensation of the cold junction.

The REF input is provided for the reference sample probe, thus obtaining a complete calibration system which can be certified by *Accredia* centres, in compliance with ISO 9000 regulations.

The EXT input is provided for probes that are being tested; hence, the instrument can display the temperatures of the furnaces, the temperature of the sensor to be checked and of the reference sample probe, at the same time.

Furthermore, **PULSAR-35Cu** is equipped with the RS232 serial interface; it can operate in automatic mode connected to the PC by means of the AQ2sp software which enables to carry out probe calibrations and cyclical life tests; test results can be stored and printed, so they are easily traceable in compliance with ISO 9000 standards.

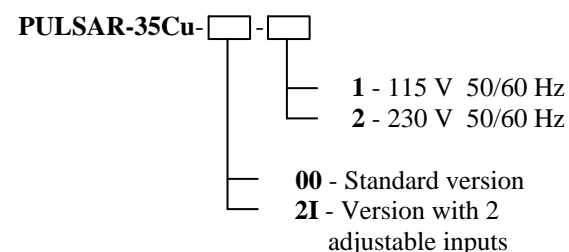
TECHNICAL DATA (PULSAR-35Cu-00)

Operating range:	Room temp. ÷ +600 °C
Stability:	±0,05 °C (@ 450 °C)
Uniformity (@ 450 °C)	
- Radial	±0,15 °C (@ 50 mm)
- Axial	±0,35 °C (for 60 mm from the bottom)
Mean heating time:	20 °C/min
Mean cooling time:	25 °C/min
Display resolution:	0,1 °C / 0,01 °C
Display accuracy:	±0,3 °C
Units of measurement:	°C - °F - K
Serial interface:	RS232
Well diameter:	35 mm
Insert hole depth:	185 mm
Power supply:	115 or 230 V - 50/60 Hz
Electric power:	800 VA
Calibrator size:	160 x 340 x 330 mm
Calibrator weight:	10 kg
Shipping weight with carrying case:	18,2 kg
Shipping size:	320 x 550 x 490 mm

STANDARD EQUIPMENT:

- Power supply cable.
- Fuses kit.
- Thermostats connection cables.
- Instruction manual.
- Test report.
- Tweezer for inserts removing.
- **2D3007**: 5 holes insert (Ø 3,5 - 5 - 6,5 - 8,5 - 12,5 x 185 mm).
- RS232 serial interface.
- Kit of clamp connections (only 2I version).

ORDERING CODES:



- 2D3006**: blank insert.
- 2D3006spec**: insert with special holes.
- 2DC505-000**: aluminium carrying case.
- 2TRMBAG-FLUID**: Cordura® soft bag.
- AQ2SP**: AQ2sp software + serial cable.



PULSAR-35Cu-2I

Version with data acquisition card and two input devices to measure:

Type of probe	Range	Accuracy
Pt100 IEC 3/4 wires	-100 / 700 °C	±0,3 °C
Thermocouple J	0 / 1000 °C	±1 °C
Thermocouples K N R S	0 / 1300 °C	±1 °C

CERTIFICATION:

All instruments are supplied with final testing, stability and accuracy certification traceable to *Accredia* standards.



A QUESTION OF CALIBRATION

GIUSSANI S.r.l.
Via dei Crederi, 411
24045 Fara Gera d'Adda (BG) - Italy
Tel.: 0363/399019 - Fax.: 0363/398725
www.giussanionline.it
E-mail: info@giussanionline.it